

EXCALIBUR STEEL STRUCTURES

STEEL HOME FRAMING DETAILS

3/25/2003 □

NOT FOR CONSTRUCTION

Details are subject to □
change without notice.

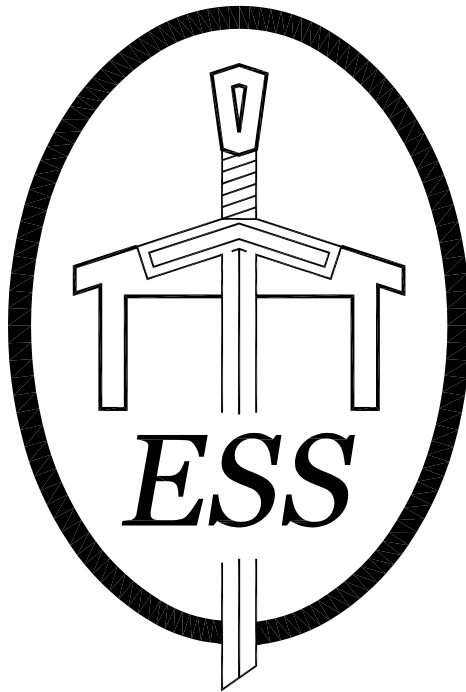
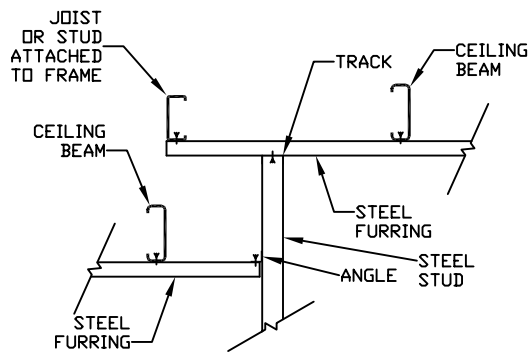


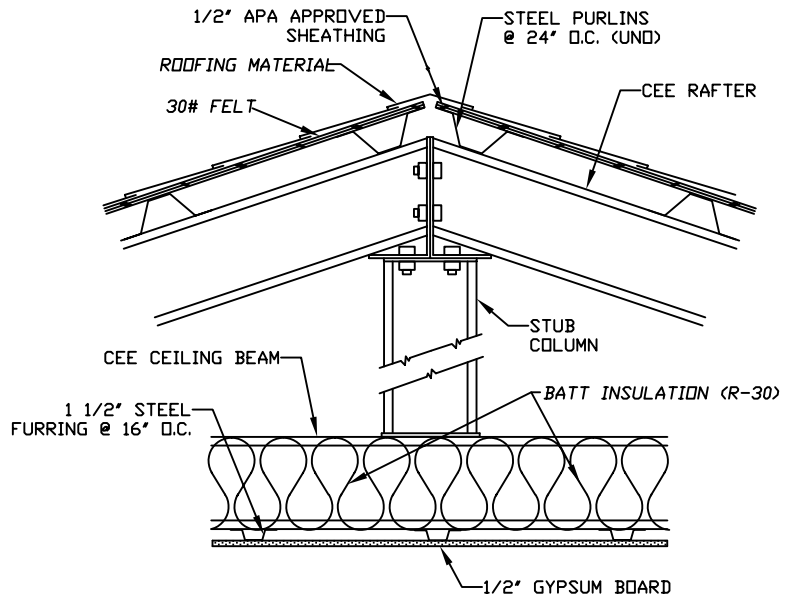
TABLE OF CONTENTS

PAGE 1	CEILING FRAMING DETAILS	PAGE 12	ROOF FRAMING DETAILS
PAGE 2	CEILING FRAMING DETAILS	PAGE 13	ROOF FRAMING DETAILS
PAGE 3	COLUMN BASE DETAILS	PAGE 14	SADDLE FRAMING DETAILS
PAGE 4	CONNECTION DETAILS	PAGE 15	SADDLE FRAMING DETAILS
PAGE 5	DORMER FRAMING DETAILS	PAGE 16	STAIR FRAMING DETAILS
PAGE 6	DORMER FRAMING DETAILS	PAGE 17	WALL DETAILS
PAGE 7	FLOOR FRAMING DETAILS	PAGE 18	WALL SECTION DETAILS
PAGE 8	FLOOR FRAMING DETAILS	PAGE 19	WALL SECTION DETAILS
PAGE 9	FLOOR FRAMING DETAILS	PAGE 20	WALL SECTION DETAILS
PAGE 10	GABLE FRAMING DETAILS	PAGE 21	WALL FRAMING DETAILS
PAGE 11	POPOUT FRAMING DETAILS	PAGE 22	WALL FRAMING DETAILS

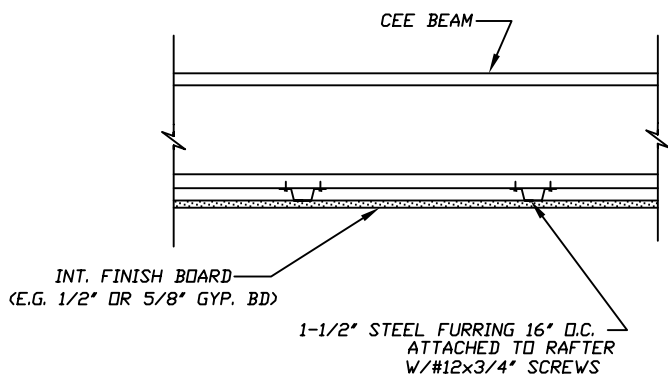
SEAL



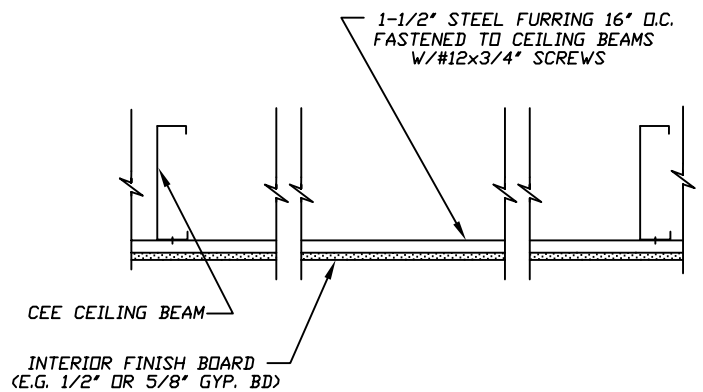
DROPPED CEILING FURRING (1)



RIDGE - CEILING DETAIL (2)



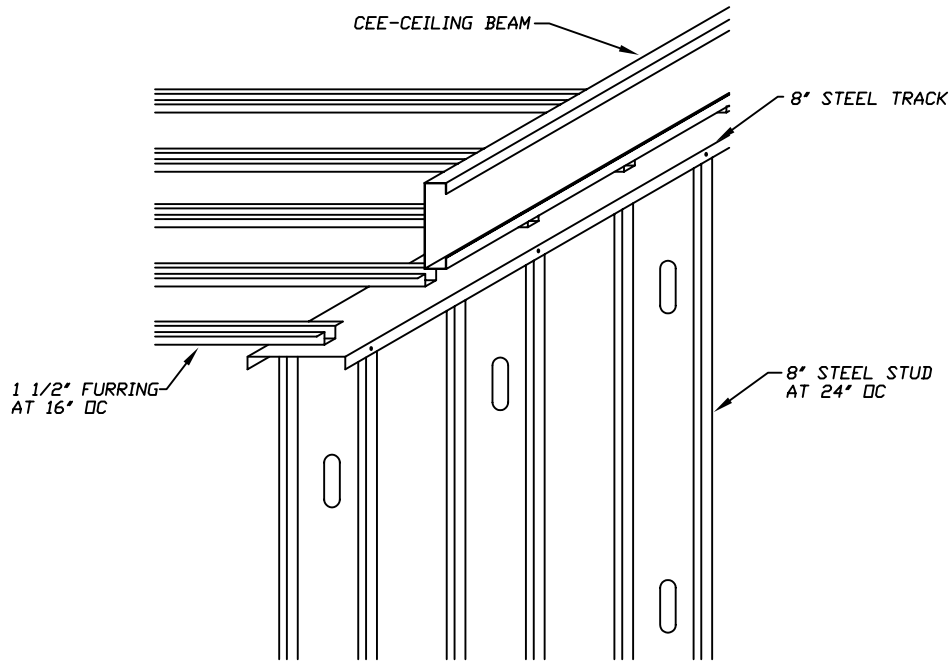
PRIMARY/SECONDARY STRUCTURAL MEMBERS AT INTERIOR CEILING (3)



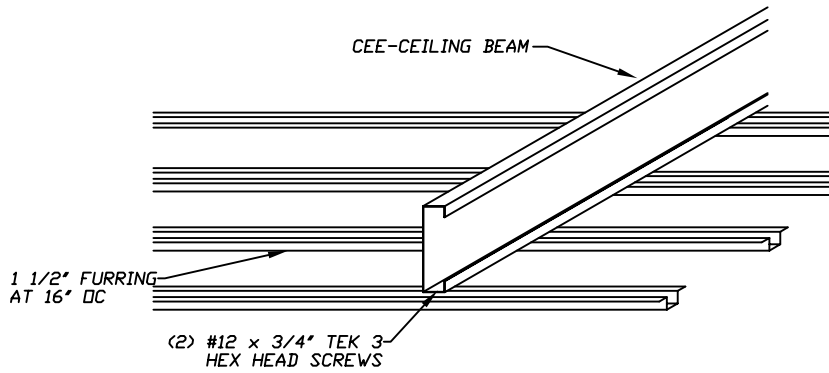
PRIMARY/SECONDARY STRUCTURAL MEMBERS AT CEILING (4)

CEILING FRAMING DETAILS

COPYRIGHT © 2001 EXCALIBUR STEEL STRUCTURES OF TENNESSEE,LLC. ALL RIGHTS RESERVED.

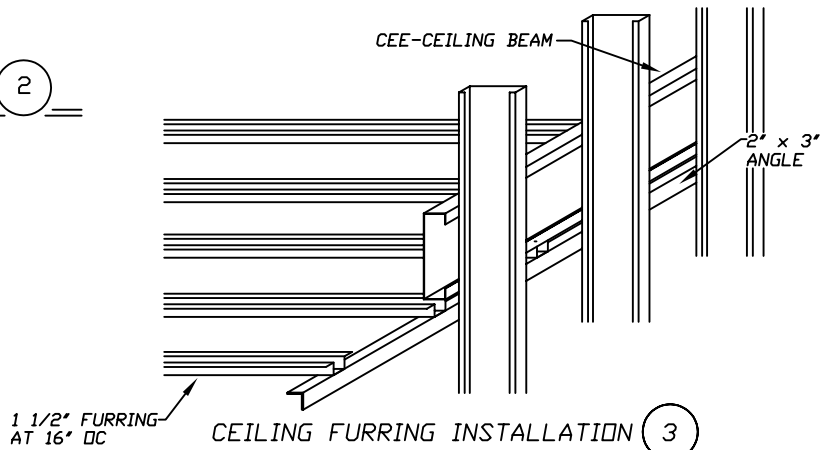


CEILING FURRING INSTALLATION (1)



CEILING FURRING INSTALLATION (2)

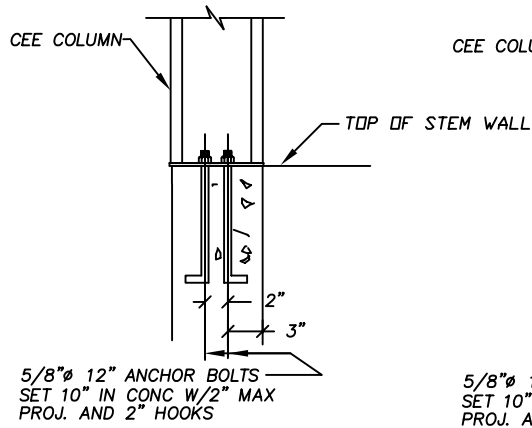
INTERIOR BAYS



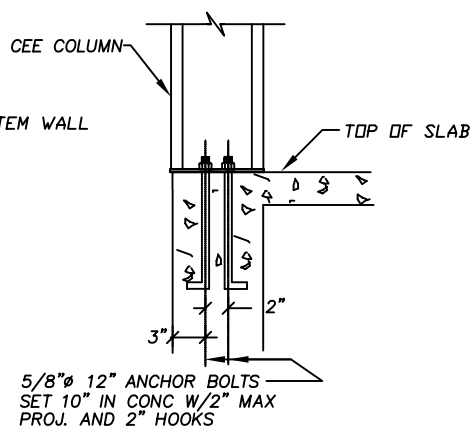
CEILING FURRING INSTALLATION (3)

BALLOON FRAMED

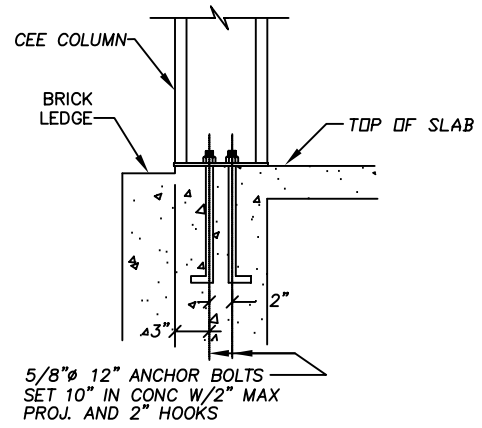
CEILING FRAMING DETAILS



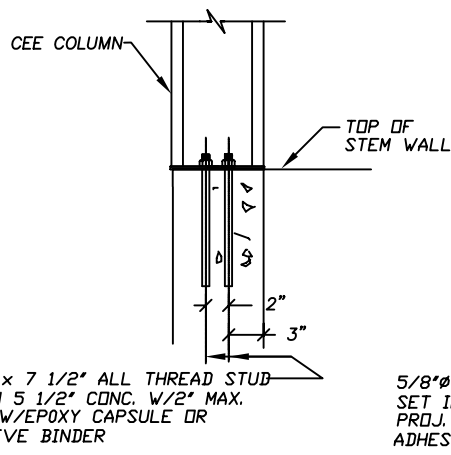
COLUMN BASE 1



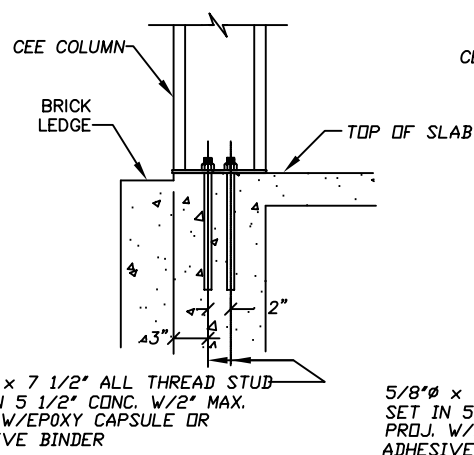
COLUMN BASE 2



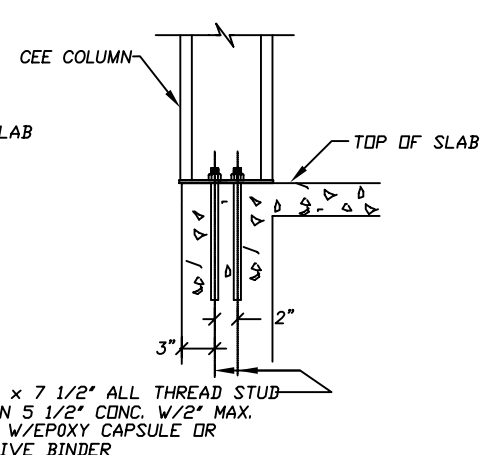
COLUMN BASE 3



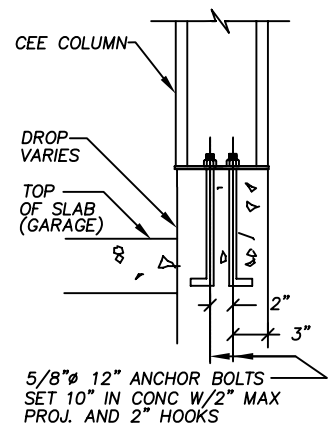
COLUMN BASE 4
CHEMICAL ANCHOR BOLT OPTION



COLUMN BASE 5
CHEMICAL ANCHOR BOLT OPTION

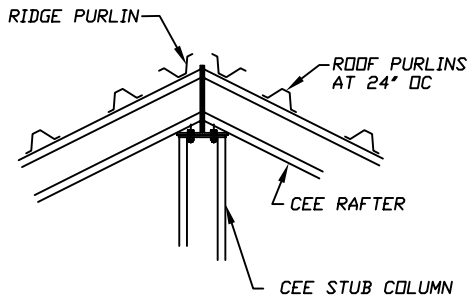


COLUMN BASE 6
CHEMICAL ANCHOR BOLT OPTION

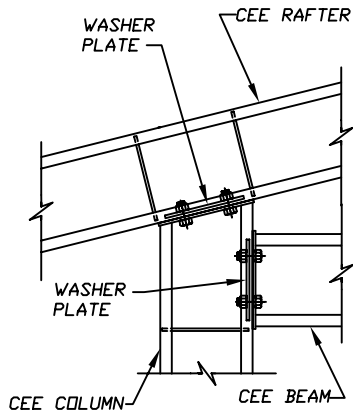


GARAGE COLUMN BASE TO SLAB 7

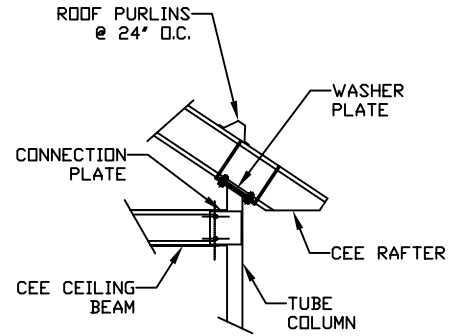
COLUMN BASE DETAILS



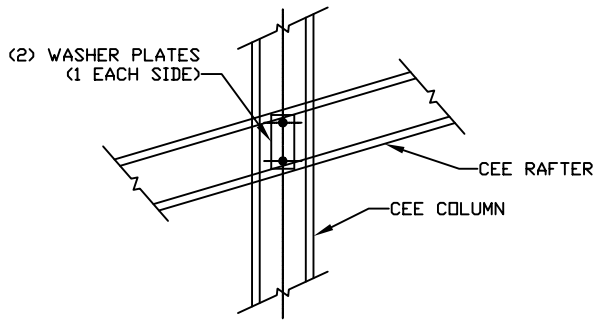
PEAK CONNECTION (1)



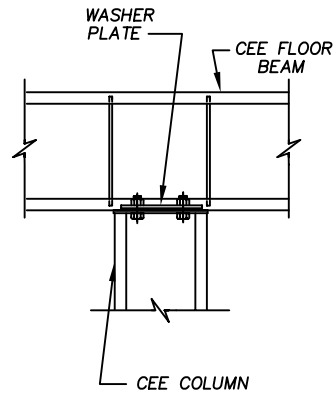
RAFTER TO COLUMN AT CEILING BEAM (2)



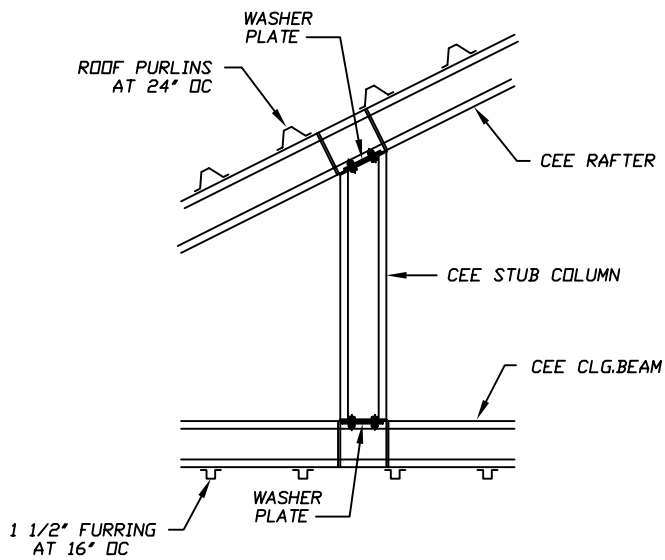
TUBE COLUMN CONNECTION (3)



RAFTER TO COLUMN (4)

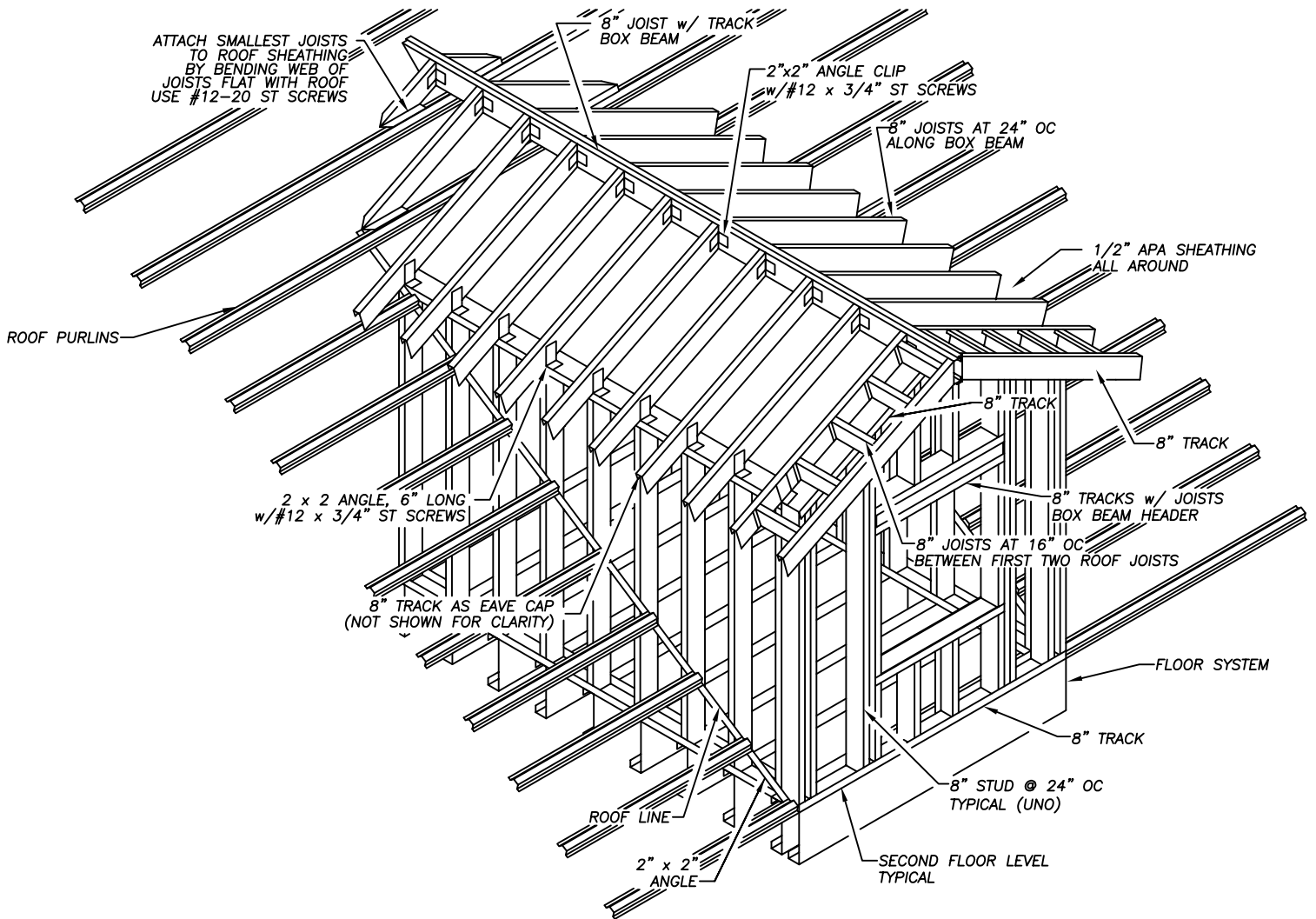


FLOOR BEAM TO SUPPORT COLUMN (5)



STUB COLUMN CONNECTION (6)

CONNECTION DETAILS

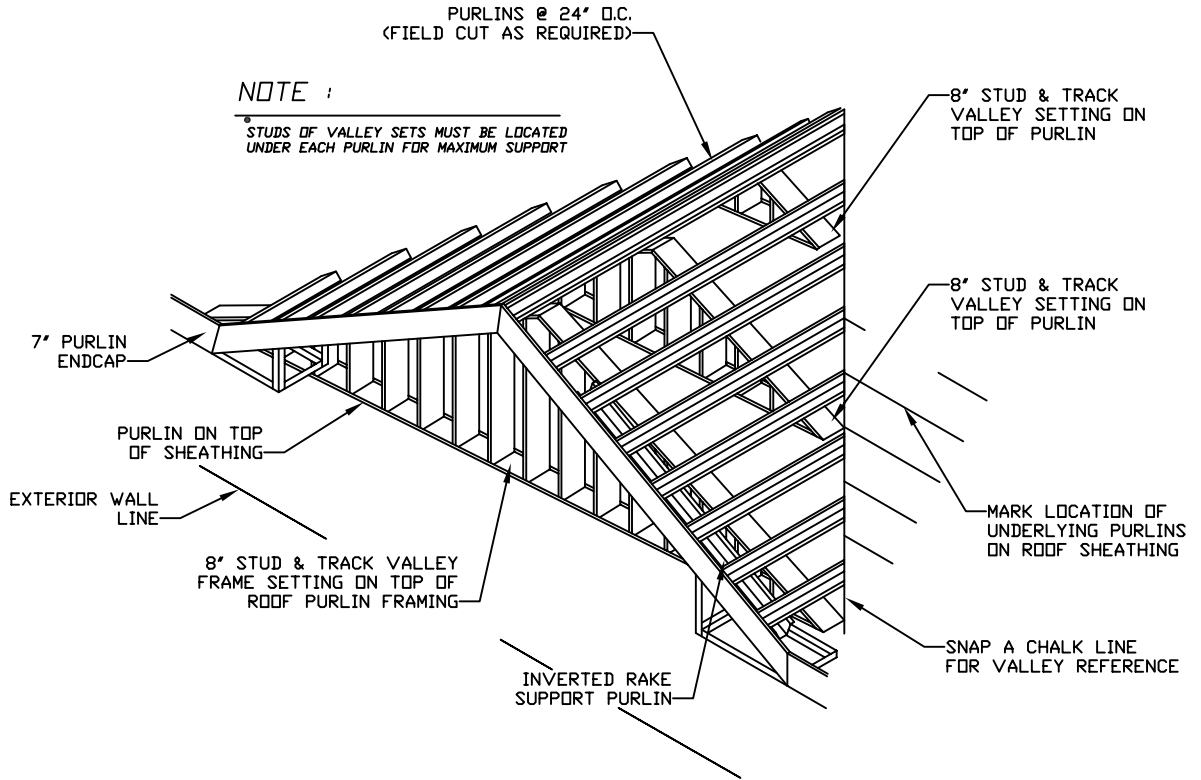


ISO AT DORMER ROOF FRAMING (1)

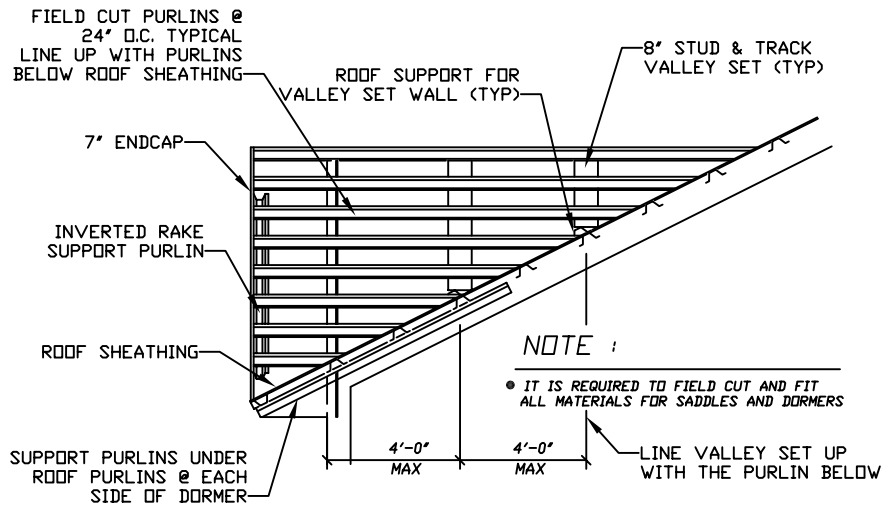
NOT TO SCALE

DORMER FRAMING DETAILS

COPYRIGHT© 2001 EXCALIBUR STEEL STRUCTURES OF TENNESSEE,LLC. ALL RIGHTS RESERVED.

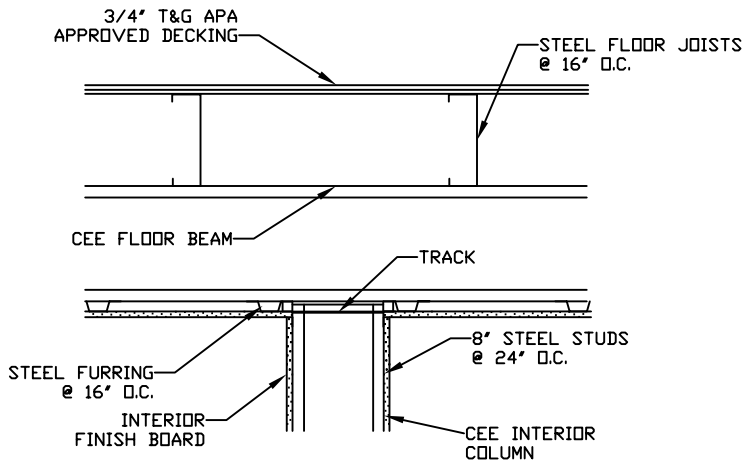


**DORMER FRAMING ISOMETRIC
FLUSH WITH EAVE LINE** ①
SCALE : NOT TO SCALE

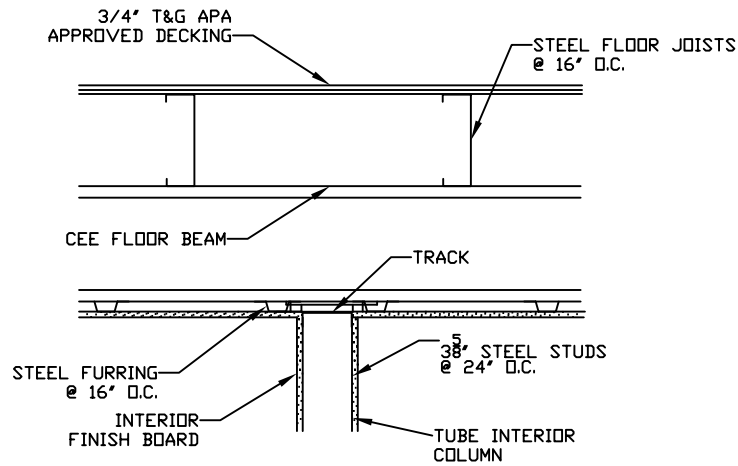


**DORMER FRAMING SECTION
FLUSH WITH EAVE LINE** ②
SCALE : NOT TO SCALE

DORMER FRAMING DETAILS

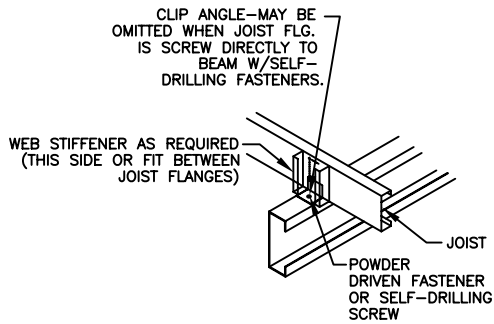


FLOOR BEAM @ CENTER COLUMN (1)

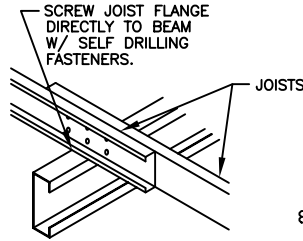


FLOOR BEAM @ TUBE COLUMN (2)

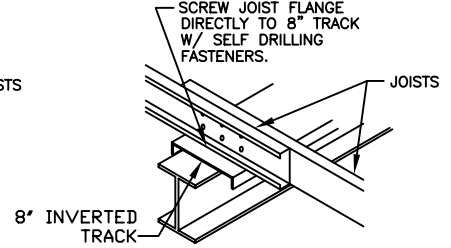
FLOOR FRAMING DETAILS



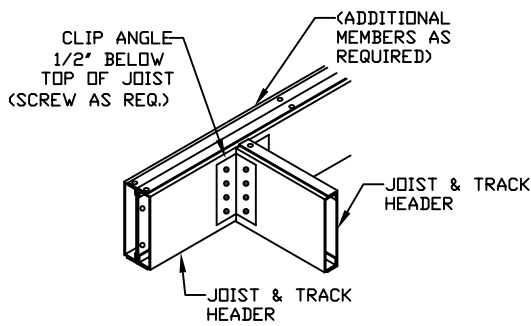
CONTINUOUS FLOOR JOIST OVER "CEE" CHANNEL FLOOR BEAM (1)



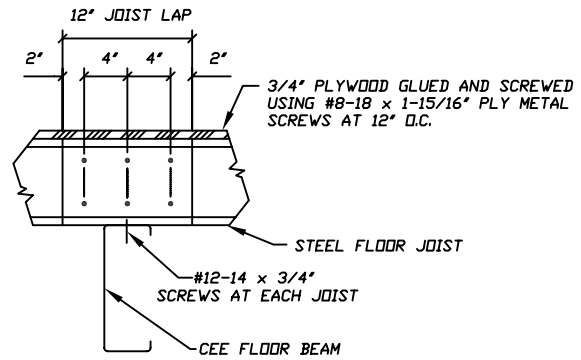
LAPPING FLOOR JOISTS OVER "CEE" CHANNEL FLOOR BEAM (2)



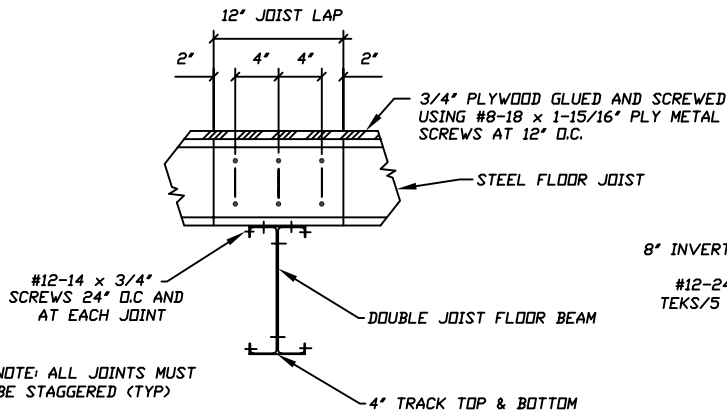
LAPPING FLOOR JOISTS OVER WIDE FLANGE FLOOR GIRDER (3)



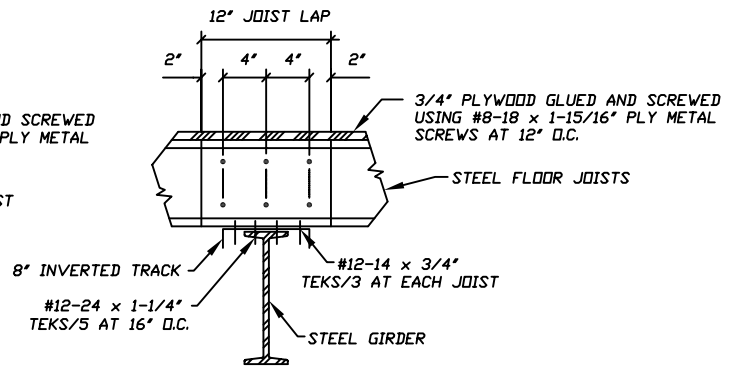
JOIST CONNECTION DETAIL (4)



JOIST LAP DETAIL (5)



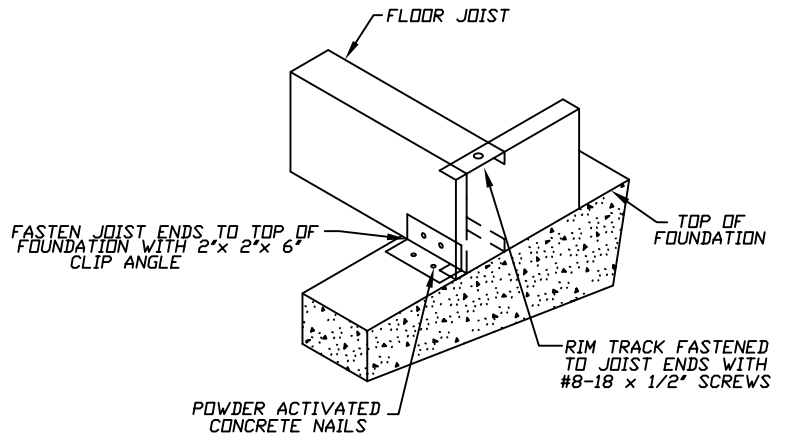
JOIST LAP DETAIL (6)



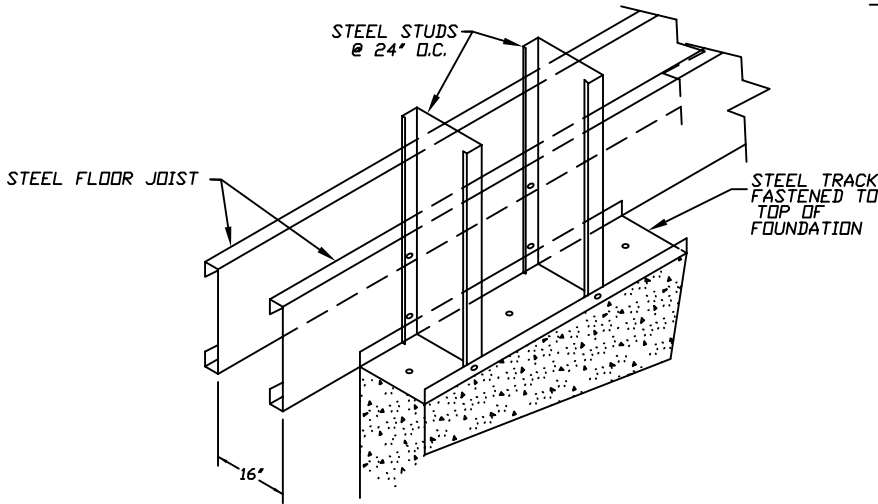
JOIST LAP DETAIL (7)

FLOOR FRAMING DETAILS

COPYRIGHT © 2001 EXCALIBUR STEEL STRUCTURES OF TENNESSEE, LLC. ALL RIGHTS RESERVED.



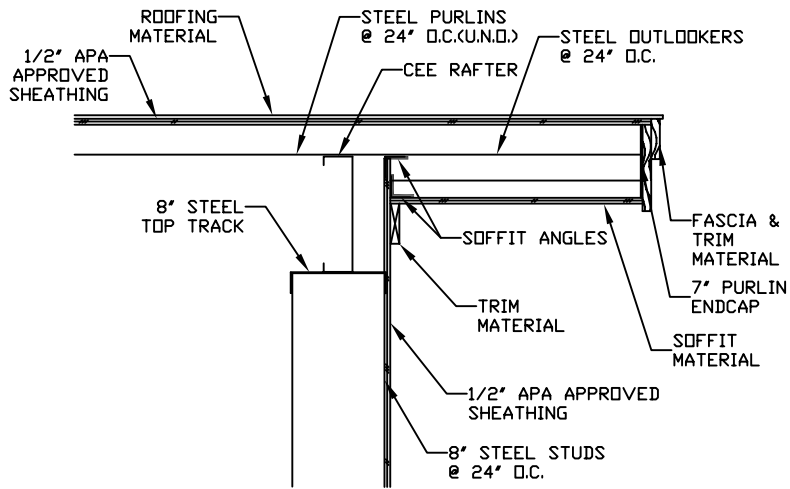
JOIST END DETAIL - SIDEWALL 1



JOIST END DETAIL - ENDWALL 2

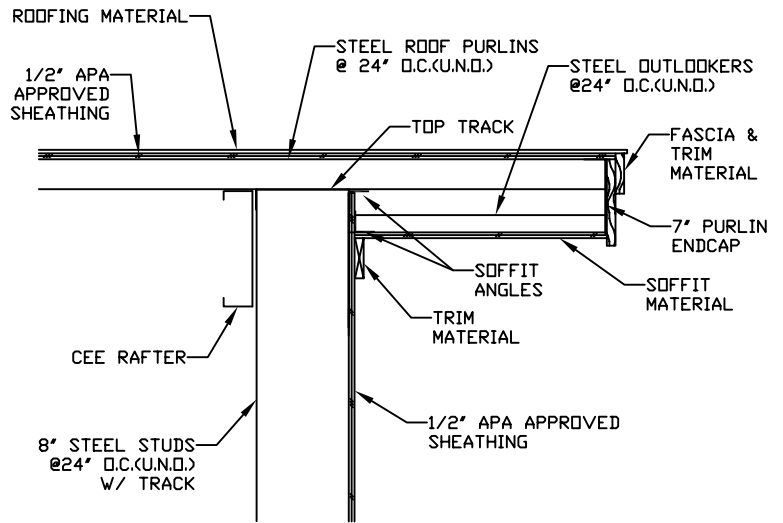
FLOOR FRAMING DETAILS

COPYRIGHT © 2001 EXCALIBUR STEEL STRUCTURES OF TENNESSEE, LLC. ALL RIGHTS RESERVED.



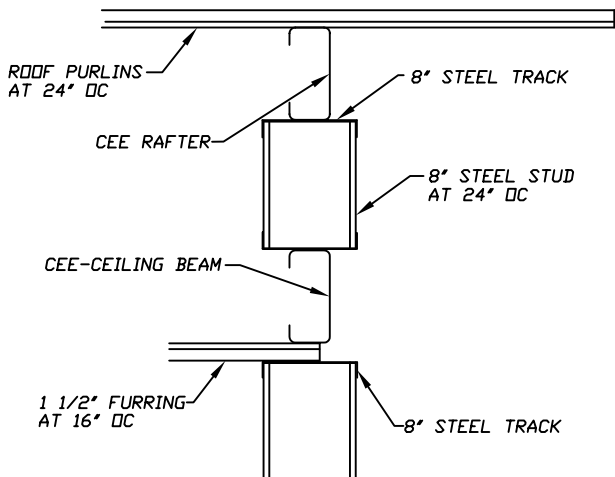
GABLE DETAIL

1



GABLE DETAIL - BALLOON FRAMING

2

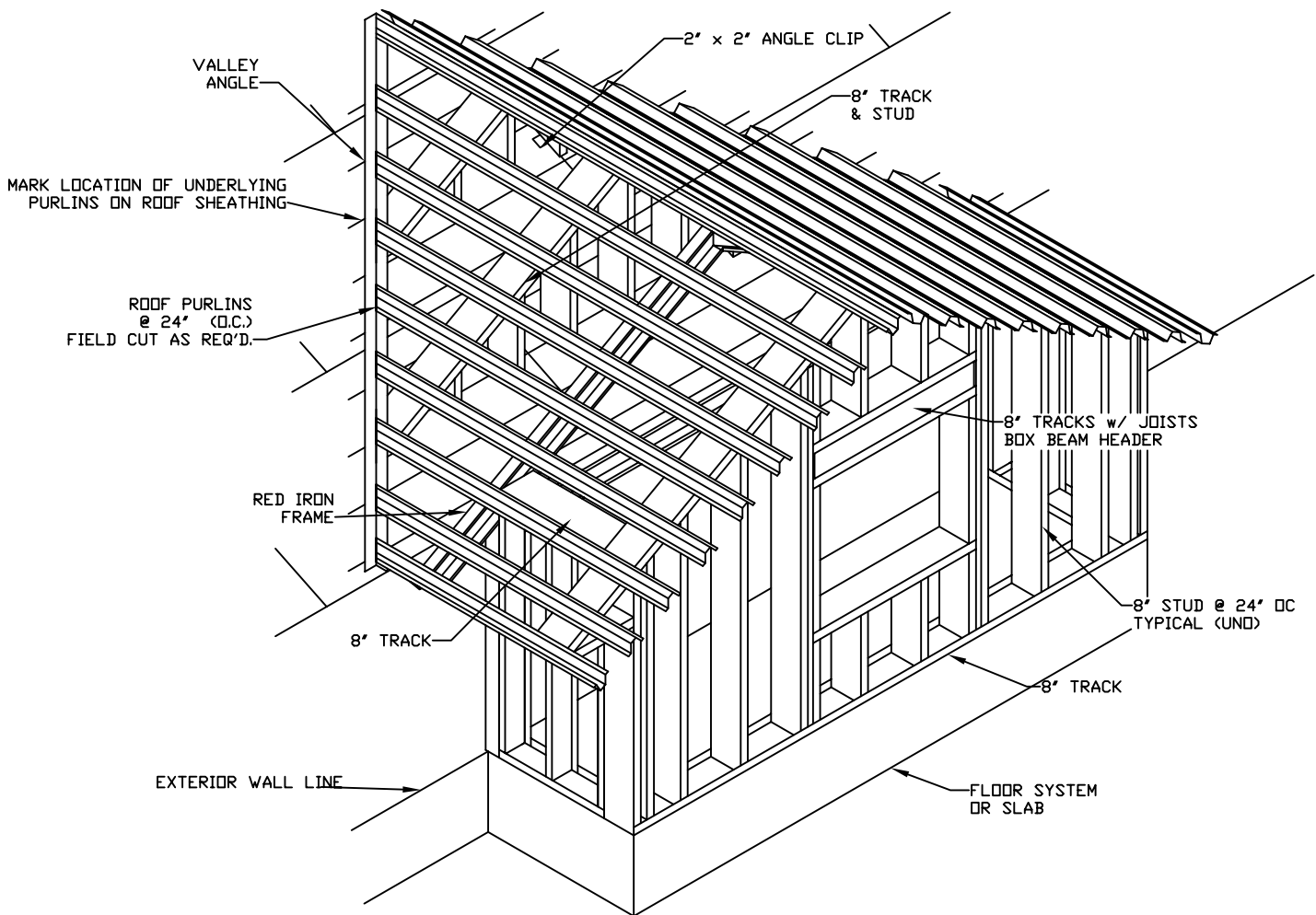


GABLE END WALL

3

BEFORE SHEATHING

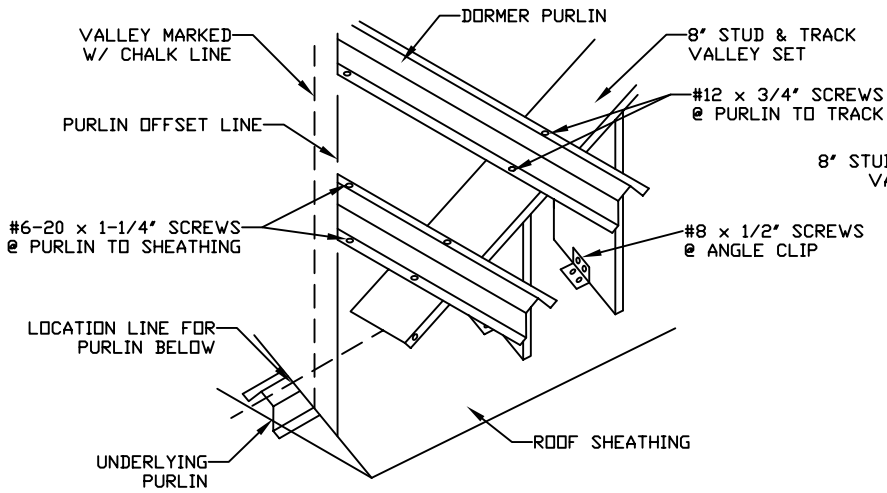
GABLE FRAMING DETAILS



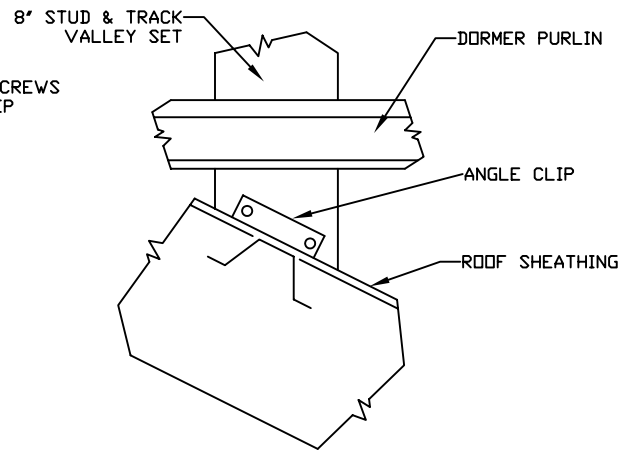
BALLOON FRAMED POPOUT ①

POPOUT FRAMING DETAILS

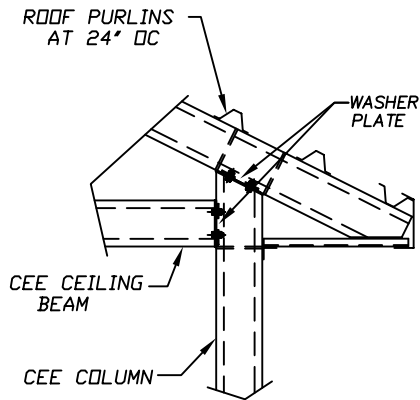
COPYRIGHT © 2001 EXCALIBUR STEEL STRUCTURES OF TENNESSEE,LLC. ALL RIGHTS RESERVED.



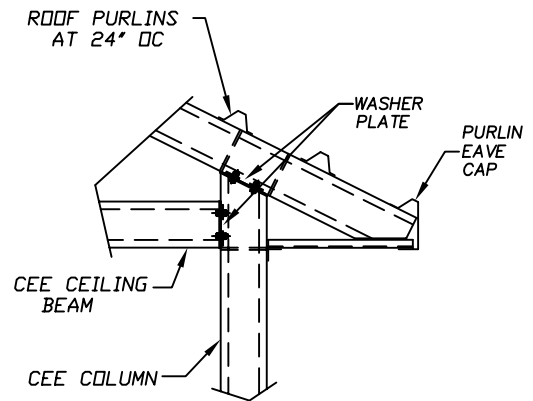
DORMER ATTACHMENT DETAIL (1)



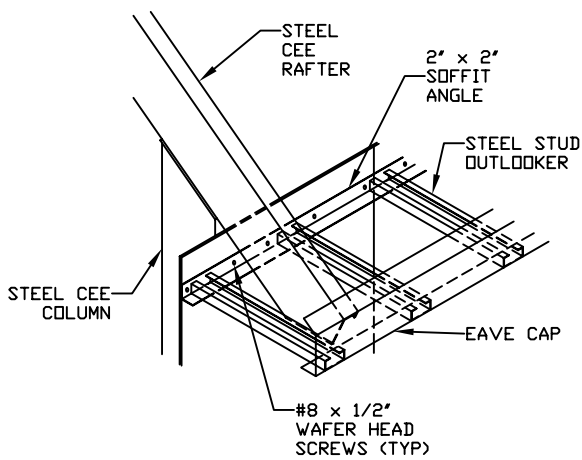
VALLEY SET SUPPORT (2)



EAVE DETAIL PLUMB CUT (3)

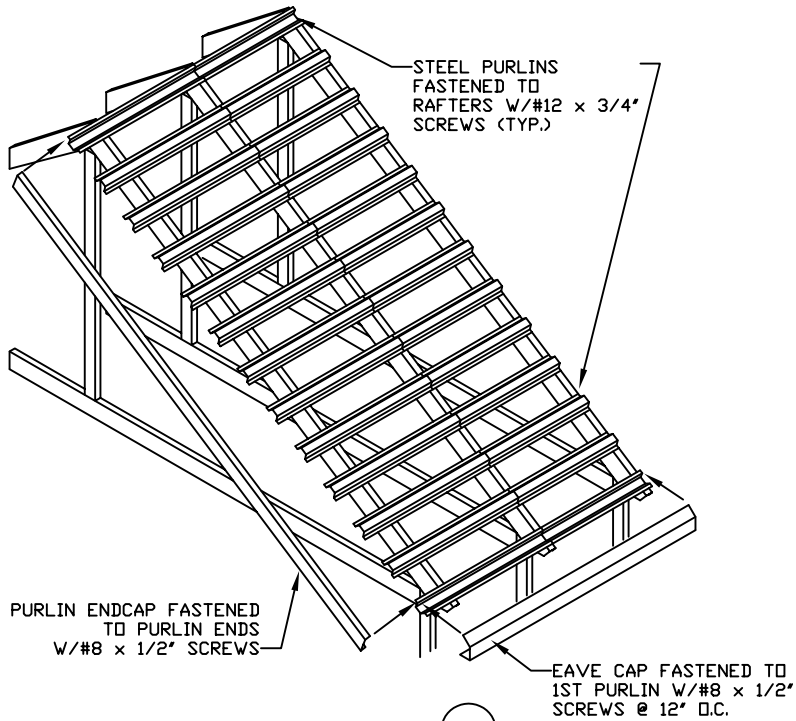


EAVE DETAIL PLUMB CUT (4)
WITH PURLIN EAVE CAP

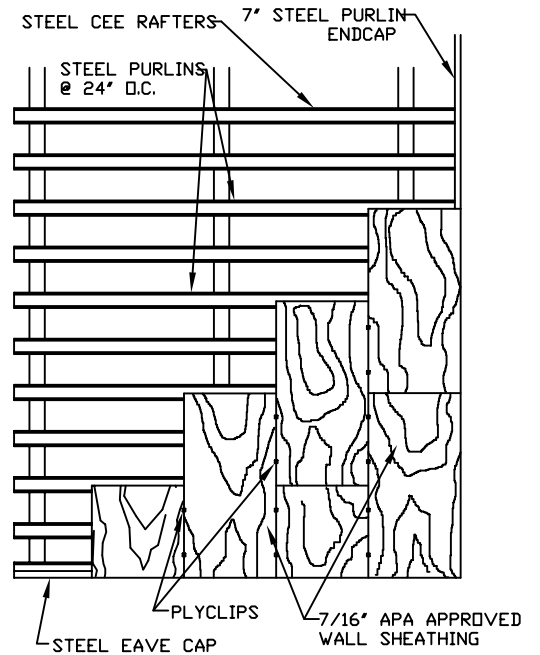


EAVE/SOFFIT DETAIL (5)

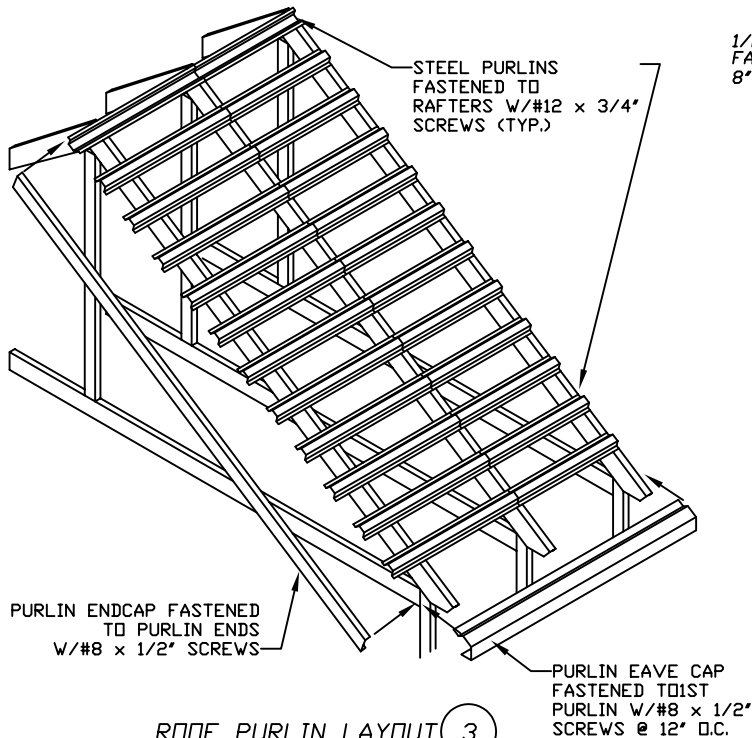
ROOF FRAMING DETAILS



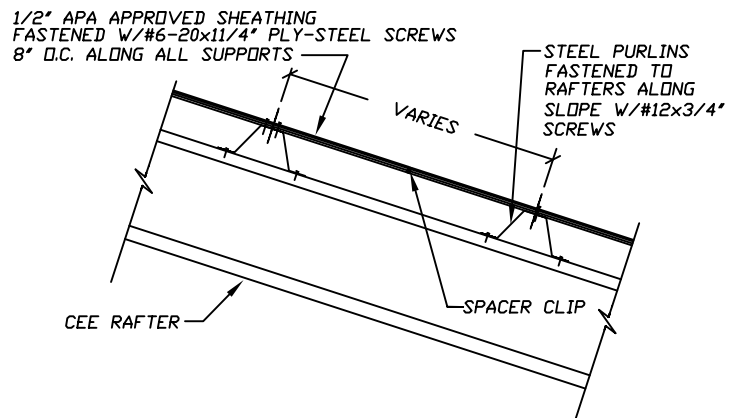
ROOF PURLIN LAYOUT (1)



ROOF PANEL LAYOUT PATTERN (2)

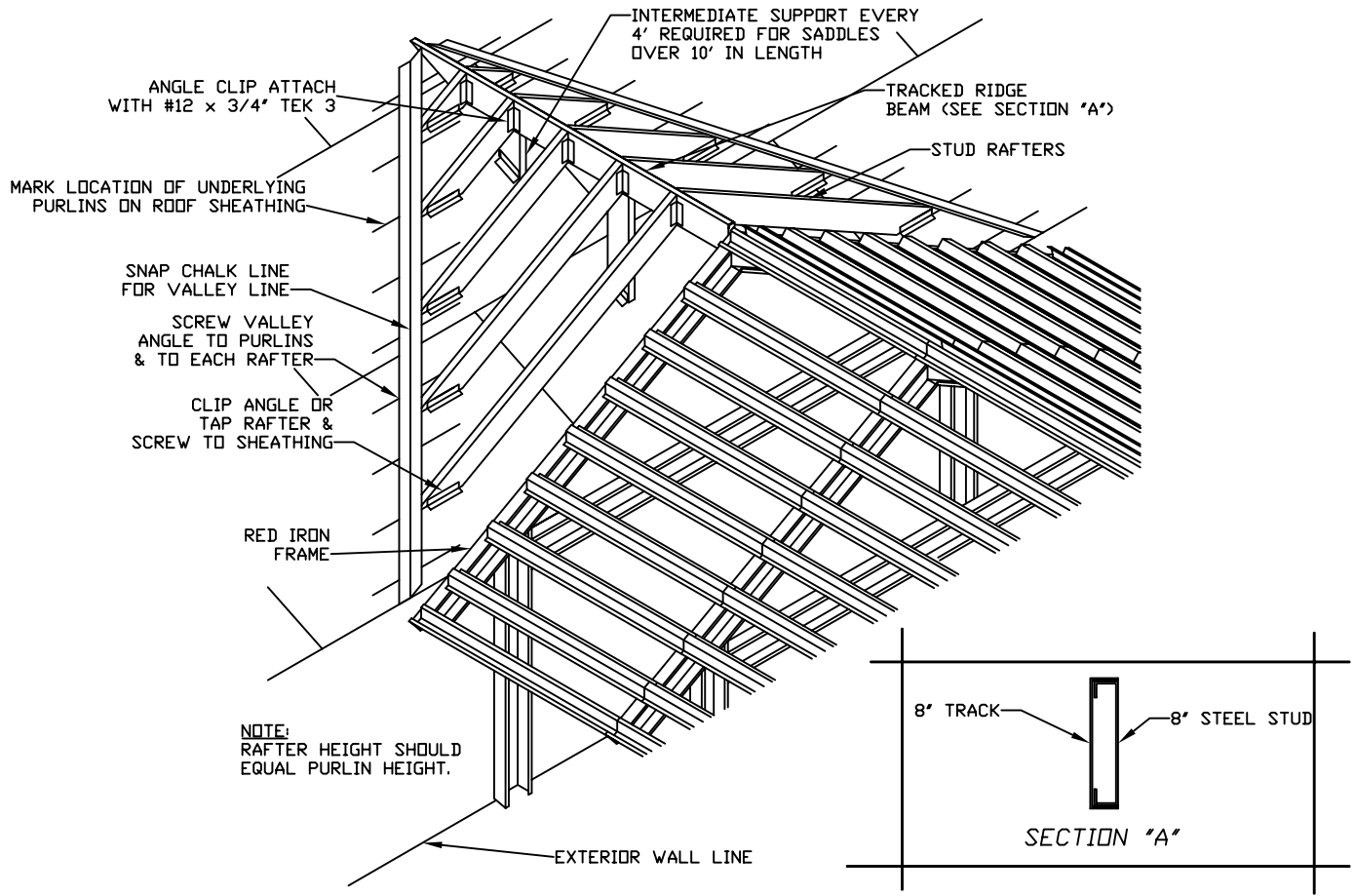


ROOF PURLIN LAYOUT (3)
W/PURLIN EAVECAP



PRIMARY/SECONDARY STRUCTURAL MEMBERS - EXTERIOR ROOF (4)

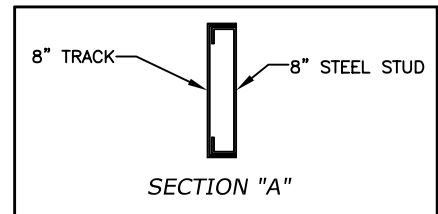
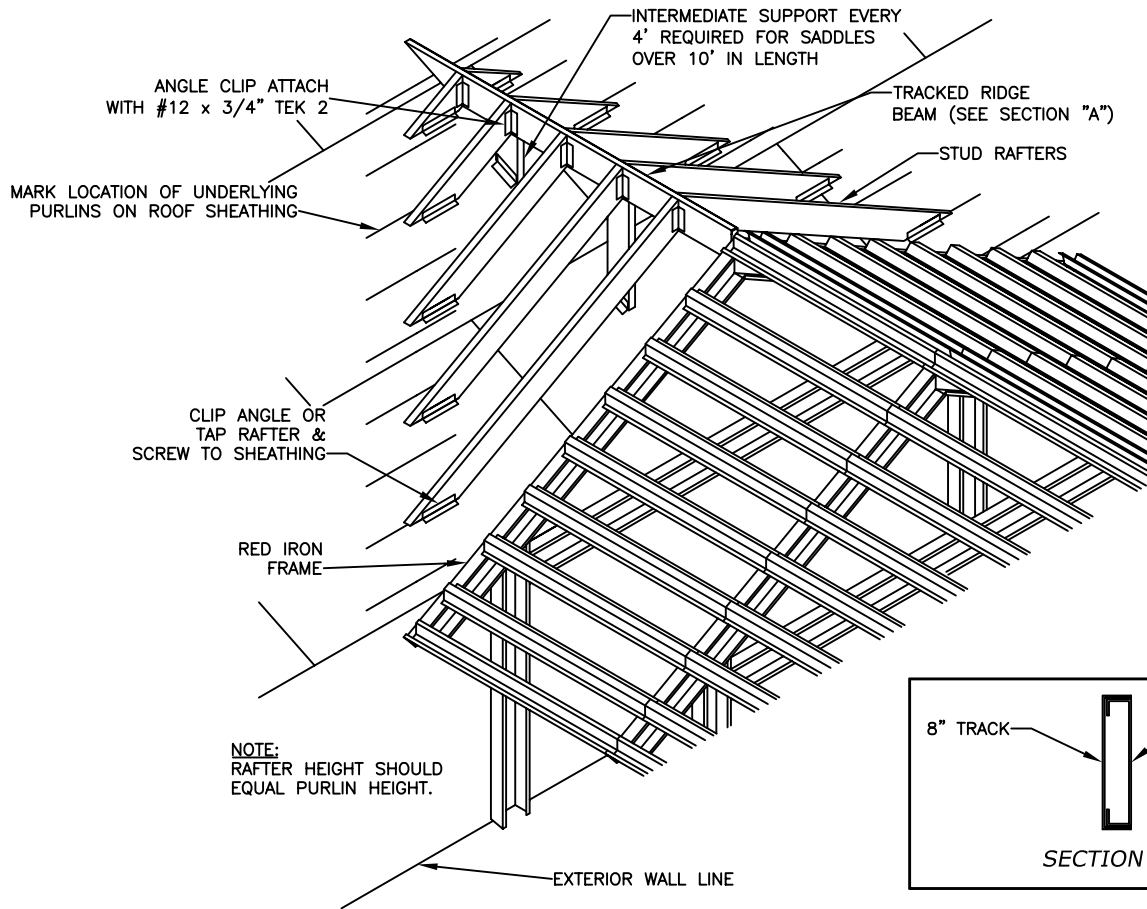
ROOF FRAMING DETAILS



SADDLE FRAMING ISOMETRIC
FLUSH WITH EXTERIOR WALL ①
WITH VALLEY ANGLE

SADDLE FRAMING DETAILS

COPYRIGHT © 2001 EXCALIBUR STEEL STRUCTURES OF TENNESSEE,LLC. ALL RIGHTS RESERVED.

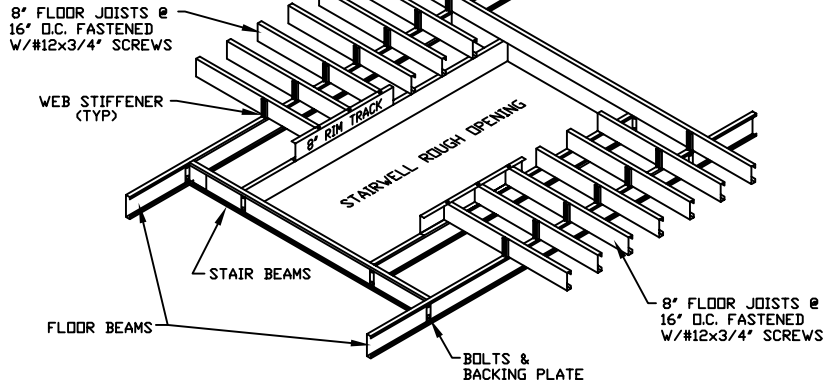


SADDLE FRAMING ISOMETRIC
 FLUSH WITH EXTERIOR WALL
 WITHOUT VALLEY ANGLE

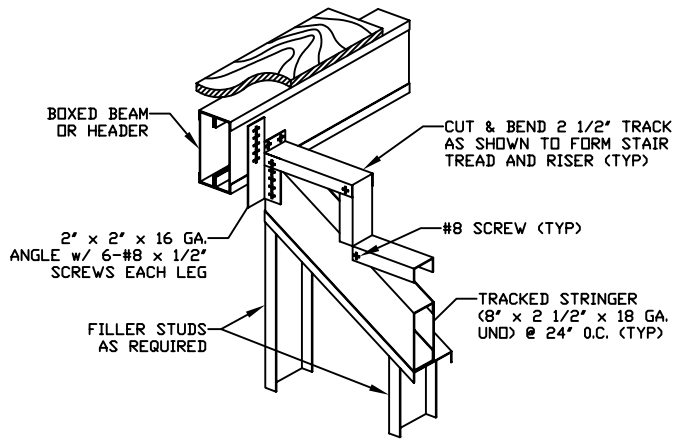
1

SADDLE FRAMING DETAILS

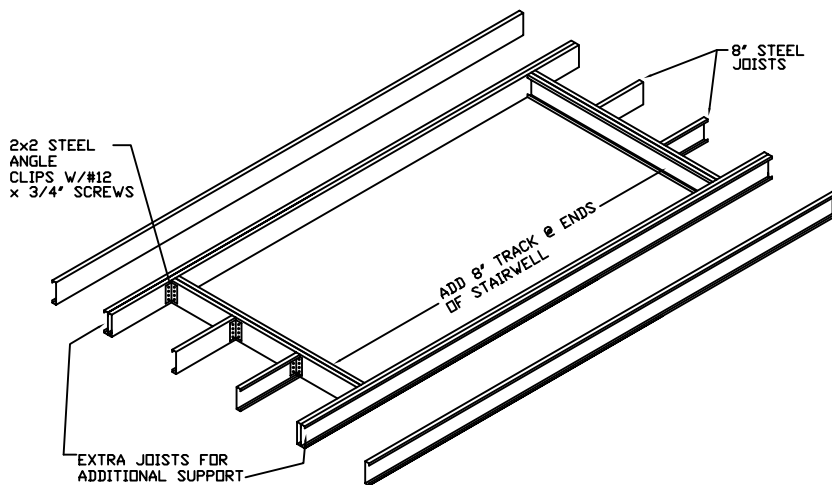
NOTE: INSTALL STAIRWELL BEAMS W/OPEN FACE AWAY FROM STAIRWELL OPENING



PERPENDICULAR STAIRWELL
INSTALLATION (2ND FLOOR) 1

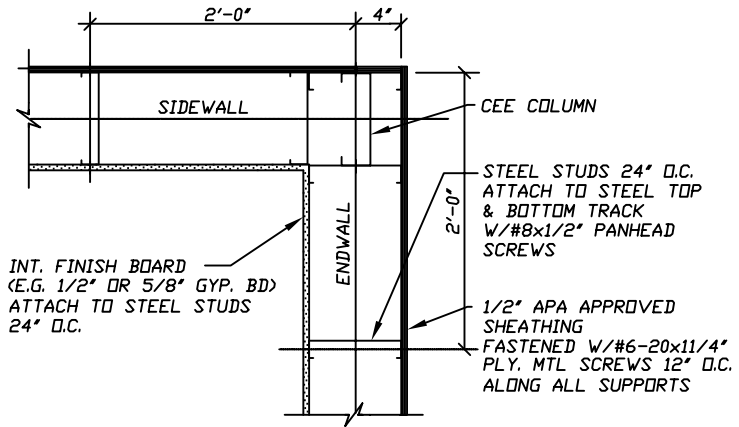


STAIRWELL DETAIL 2

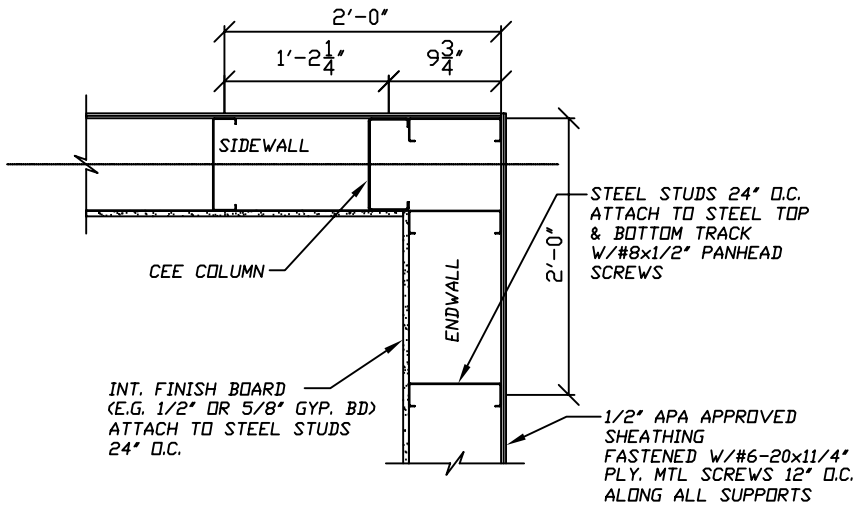


FLOOR JOISTS FOR STAIRWELL 3
INSTALLATION (1st FLOOR)

STAIR FRAMING DETAILS

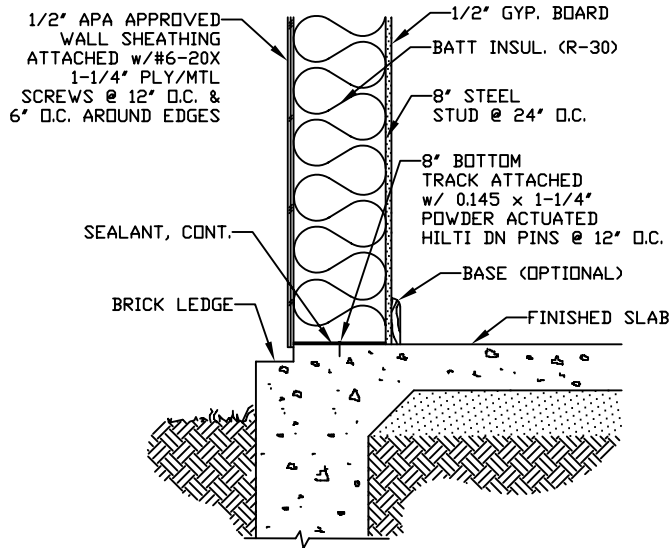


PRIMARY/SECONDARY STRUCTURAL MEMBERS AT EXTERIOR WALLS (1)
 (PLAN VIEW)

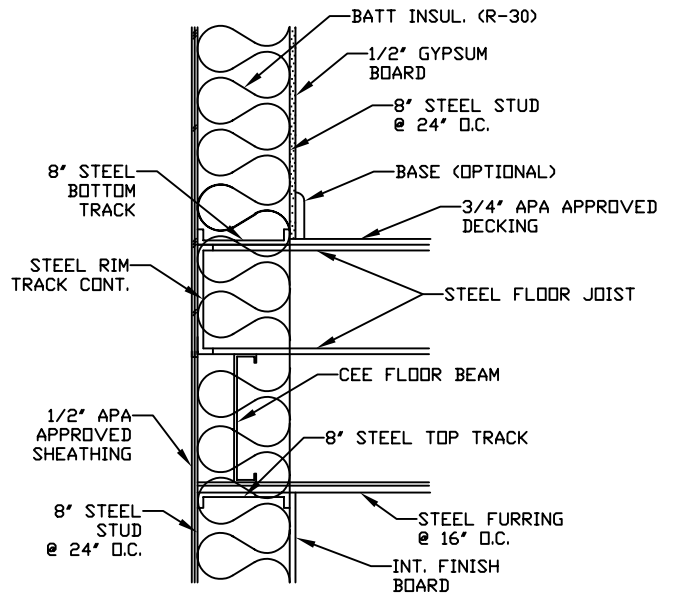


PRIMARY/SECONDARY STRUCTURAL MEMBERS AT EXTERIOR WALLS FOR BALLOON FRAMING (2)
 (PLAN VIEW)

WALL SECTION DETAILS

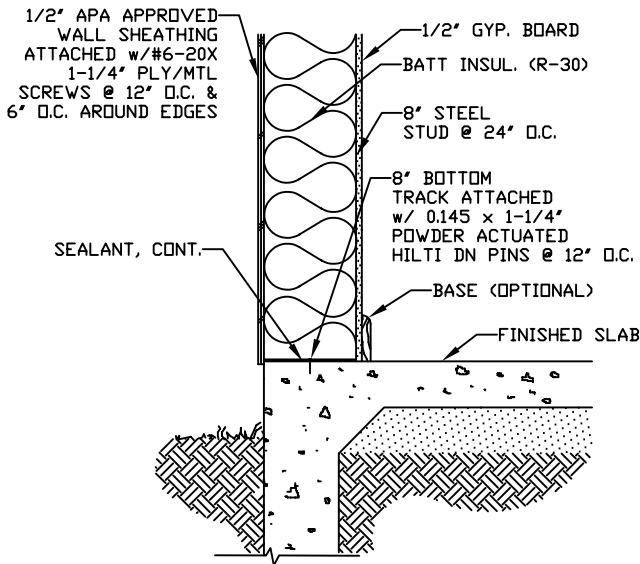


EXTERIOR ENDWALL BASE ON SLAB (1)

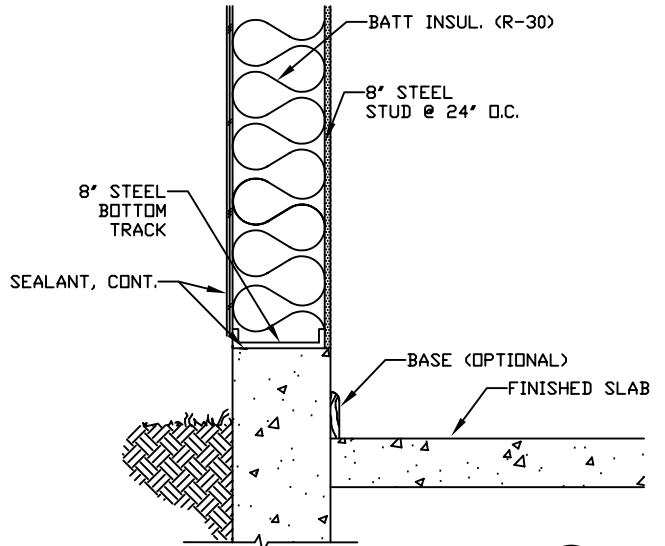


EXTERIOR WALL - ENDWALL (2)

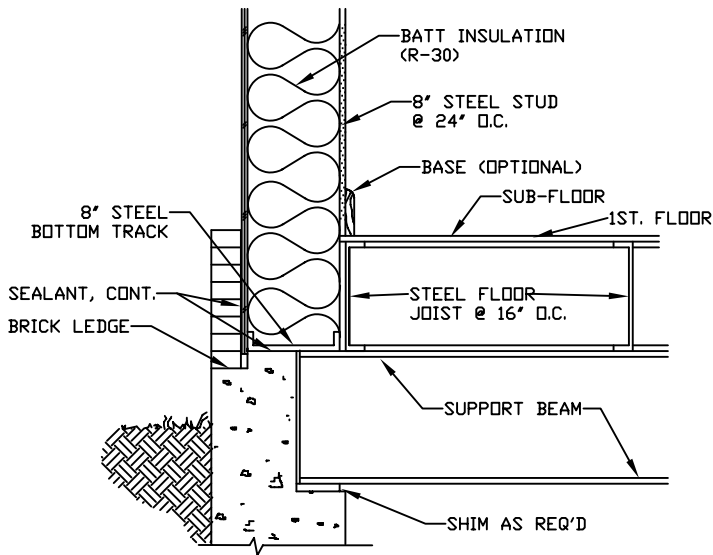
WALL SECTION DETAILS



EXTERIOR WALL BASE ON SLAB (1)

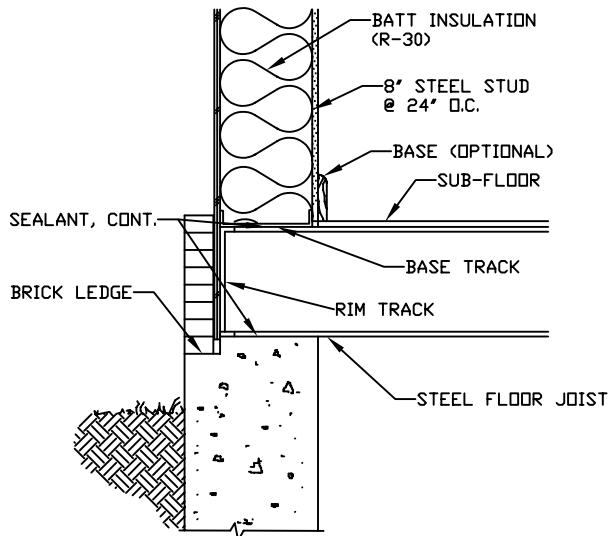


EXTERIOR WALL BASE - GARAGE (2)



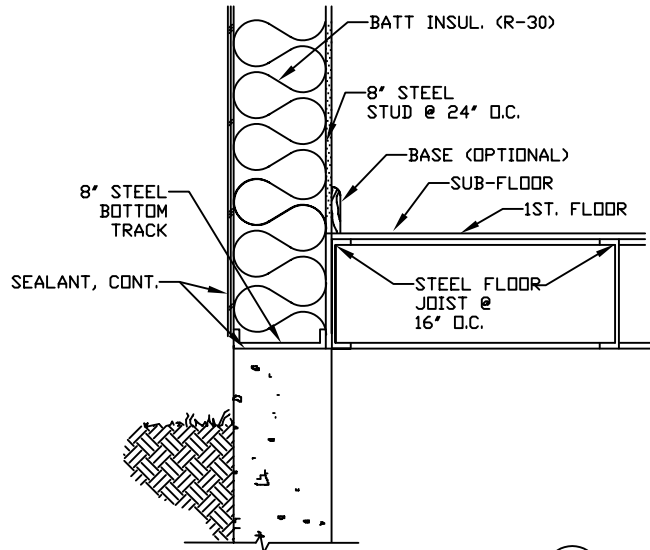
EXTERIOR WALL BASE END WALL (3)

WALL SECTION DETAILS



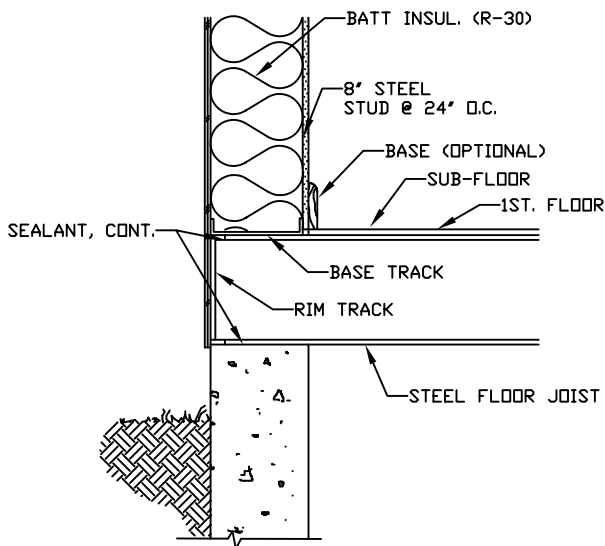
EXTERIOR WALL BASE
SIDE WALL

1



EXTERIOR WALL BASE - END WALL

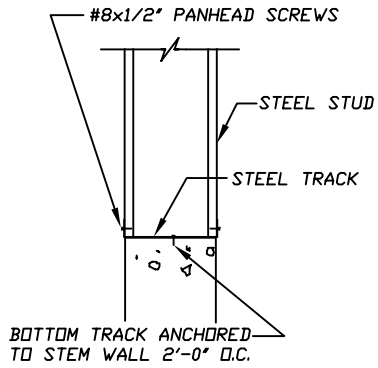
2



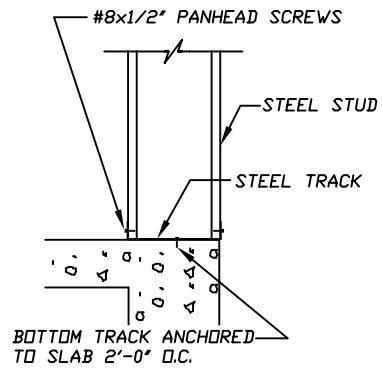
EXTERIOR WALL BASE - SIDEWALL

3

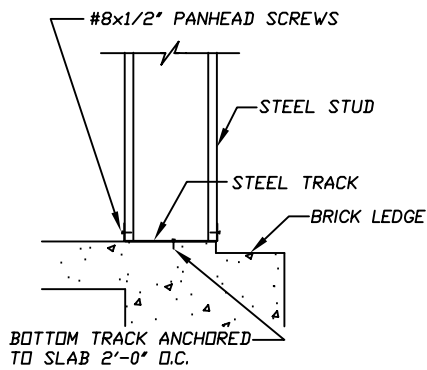
WALL SECTION DETAILS



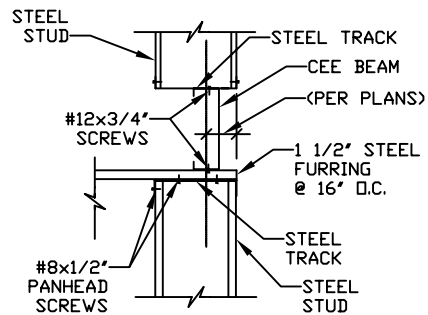
BOTTOM TRACK CONNECTION (1)



BOTTOM TRACK CONNECTION (2)



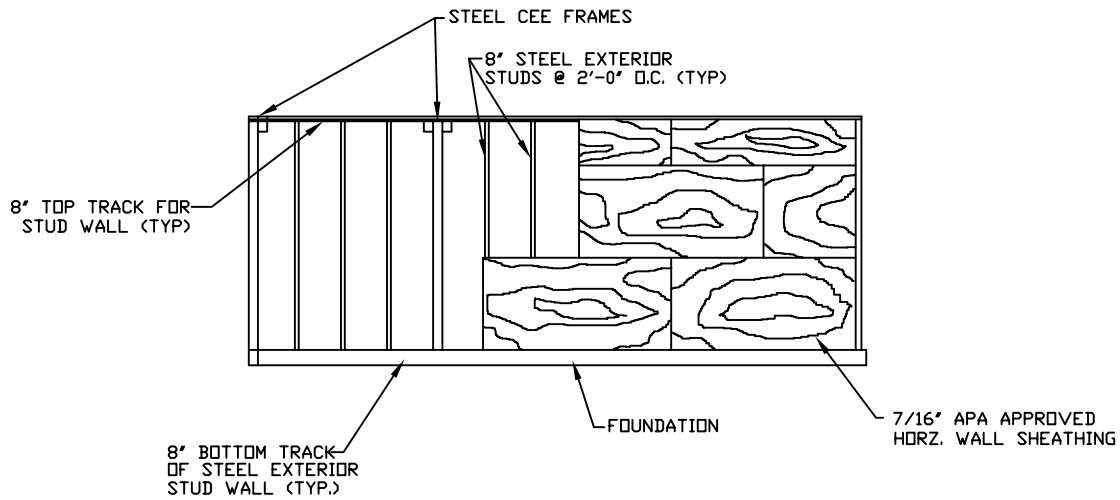
BOTTOM TRACK CONNECTION (3)



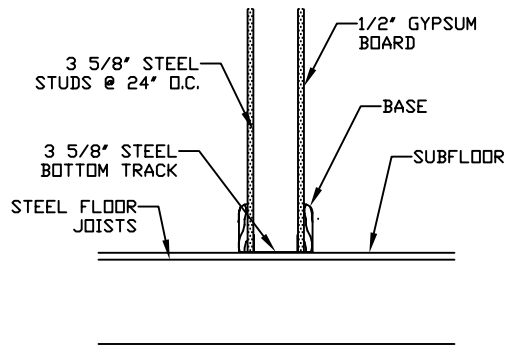
(ENDWALL STUD & TRACK DETAIL)

TOP TRACK CONNECTION (4)

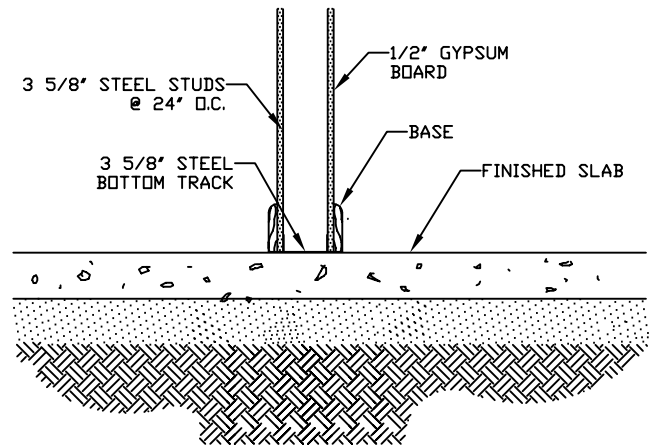
WALL FRAMING DETAILS



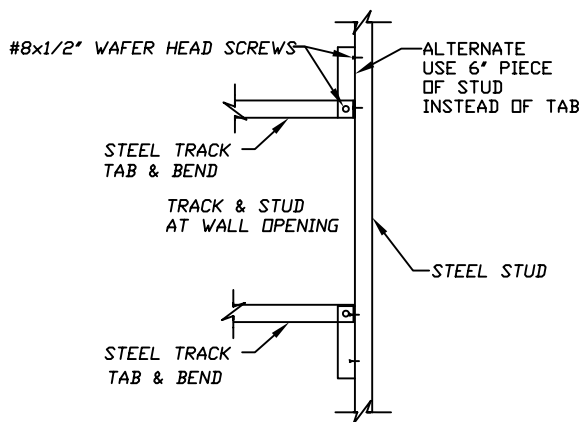
WALL PANEL LAYOUT PATTERN (1)



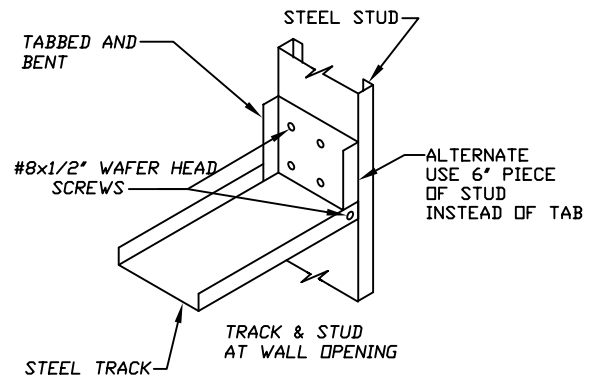
INTERIOR WALL BASE FLOOR SYSTEM (2)



INTERIOR WALL BASE ON SLAB (3)



FRAMED OPENING (4)



FRAMED OPENING (5)

WALL FRAMING DETAILS